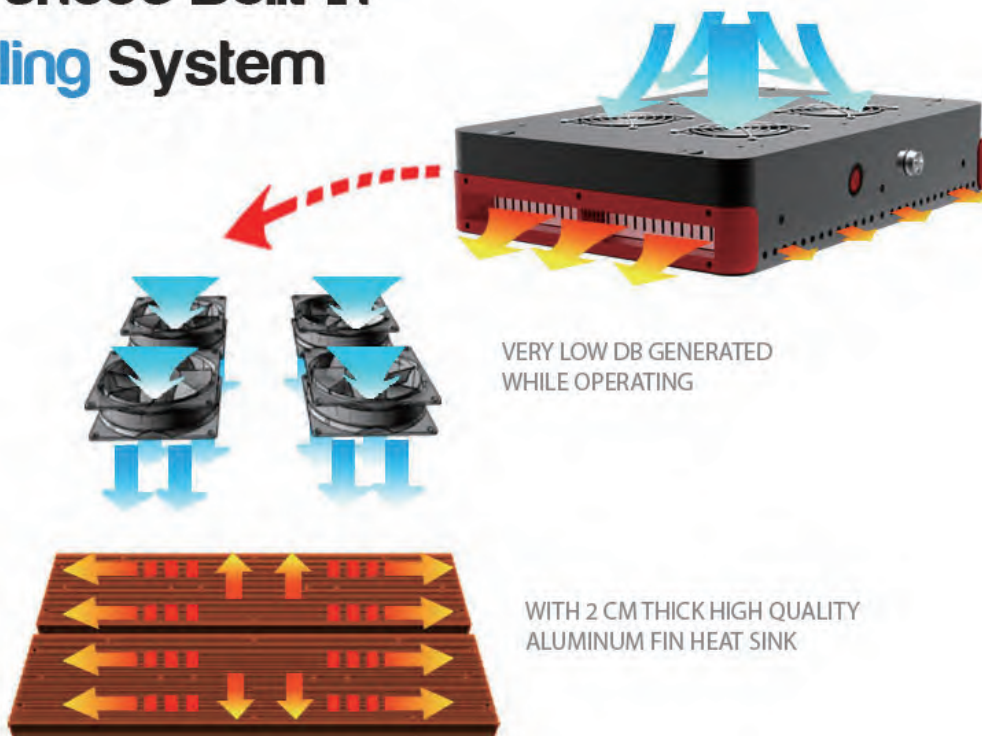


ENELTEC[®] brighten your ideas

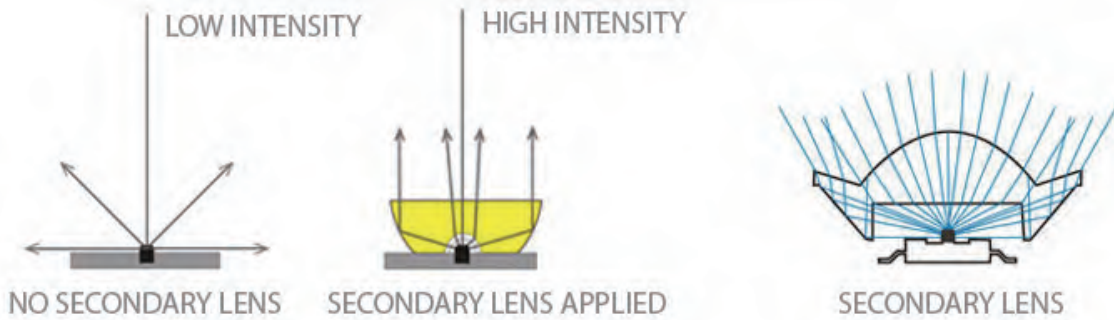
Apollo LED Grow Lights



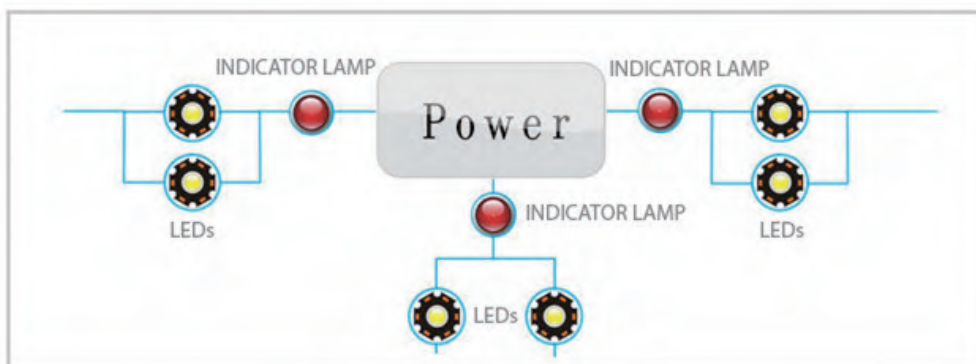
Advanced Built-In Cooling System



Secondary Focus Lenses



Independant Monitoring System



CONNECTION SCHEME



WHEN INDICATOR LIGHT IS ON,
 → LED OPERATING NORMALLY.

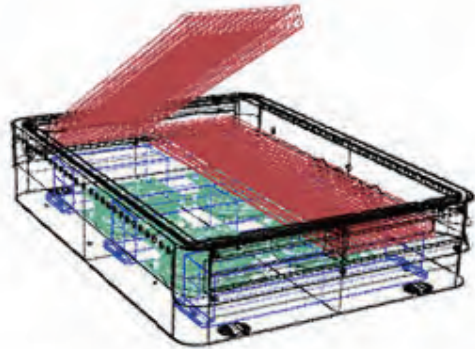
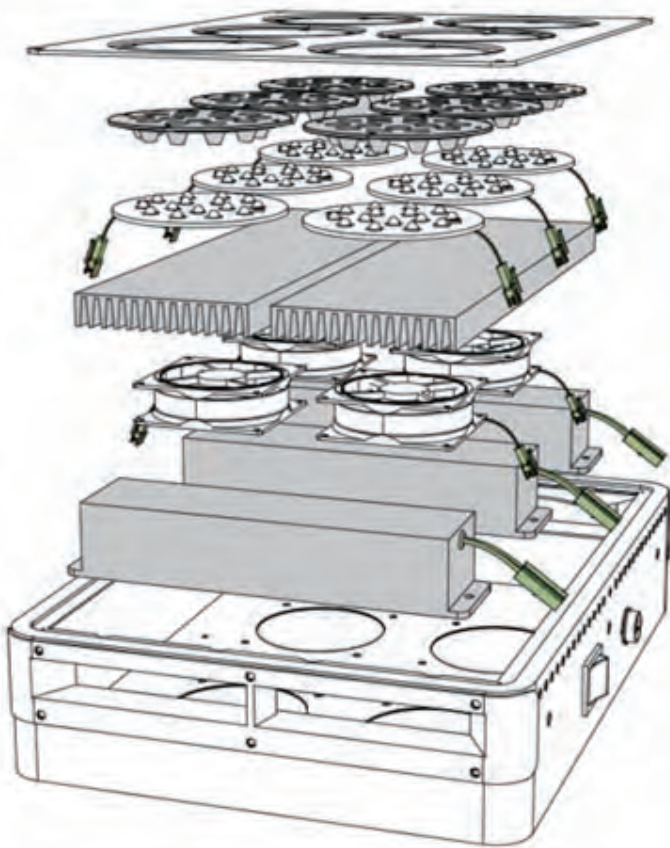


WHEN INDICATOR LIGHT IS OFF
 → CONNECTION DEFECT

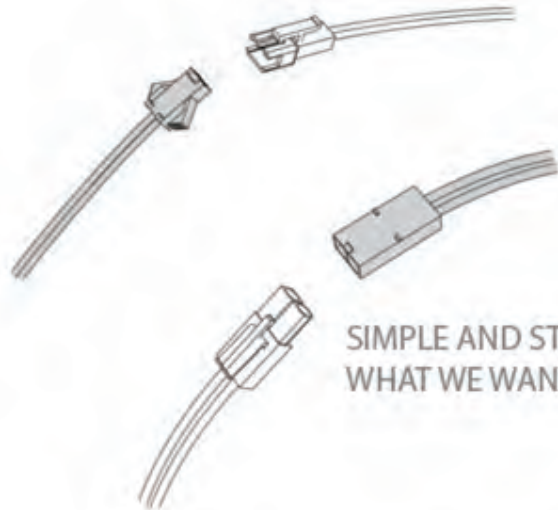
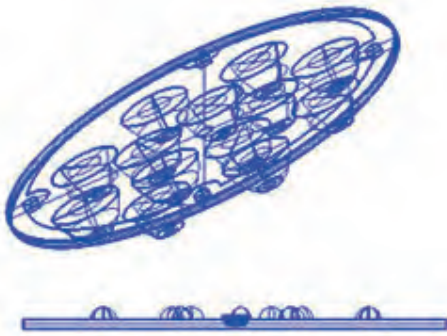


WHEN INDICATOR LIGHT IS BLINKING
 → POWER DRIVER MALFUNCTION

User-Friendly Assembly



DIY FEATURE FROM HERE



SIMPLE AND STABLE IS WHAT WE WANT

Color Options



APOLLO

- Shell: ■ Red ■ Black White
- Face shield: ■ Red ■ Black Silver ■ Blue
- Vents: ■ Red ■ Black Ivory White Grey

Characteristics



85-264VAC power input, 50/60HZ working frequency, suitable for global residential energy environment.



Our products apply advanced insulated power drivers that are of UL standard with which output voltage ranged below 45VDC.



Revolutionary heat dissipation design, available alleviate the internal thermal cycle, 10-15 °C lower than its predecessors in performance.



Modular assembling, no-glue and no-glass design, very easy for repairment and maintenance.



Intelligent Detection System ensuring the whole equipment working in a good state.



Aluminum face shield design available for a variety of color combination Shell: Red, Black, White / Face Shield: Red, Black, Silver, Blue, Vents: Red, Black, Ivory White, Grey.



Built with secondary optical lens, the penetration is more outstanding.



APOLLO LED Grow Lights select the first rate 3W LEDs as light source, ensuring the superior high quality the long lifespan.

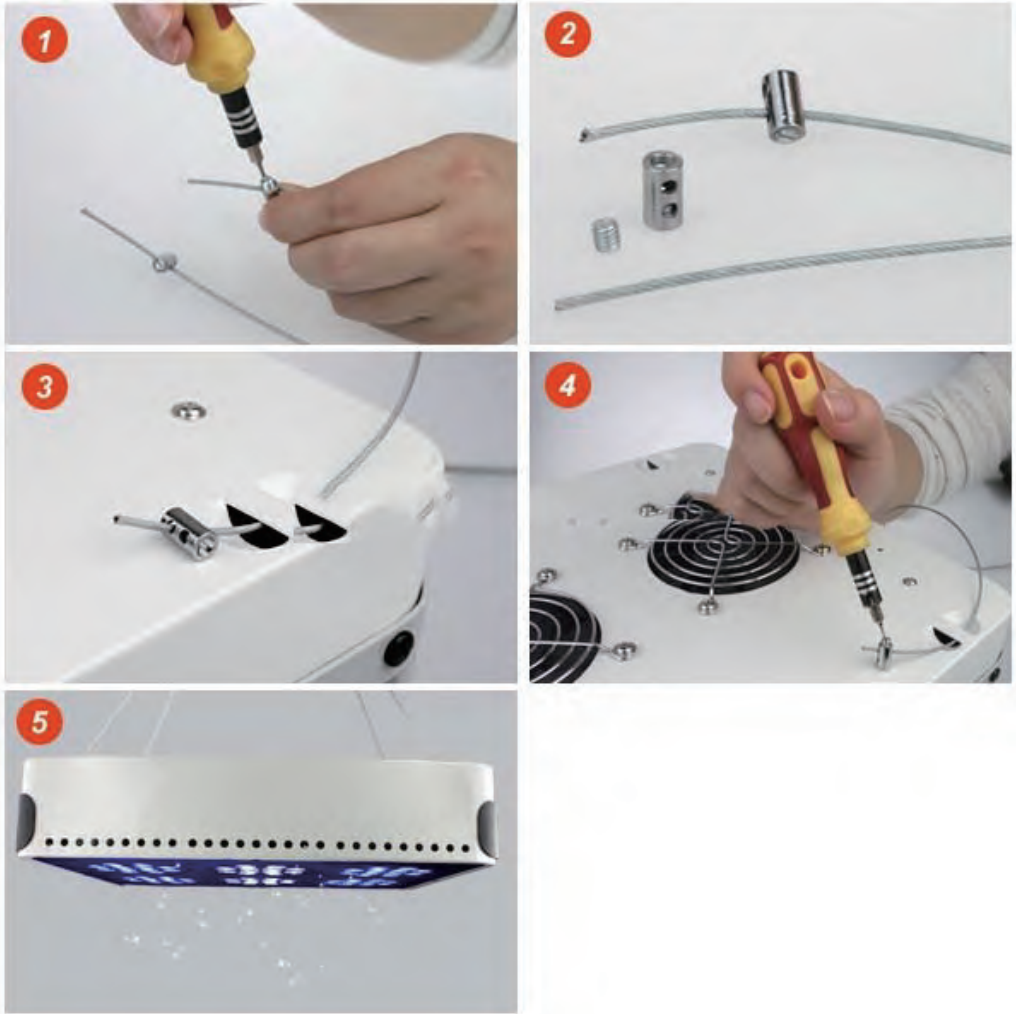


By addressing full photosynthetic spectra, APOLLO provides the plants most nutrient lights, helping them in their vegetation, flowering, fruit-bearing and other phases.

● Parameters:

Model No.	ENGL-AP4-01	ENGL-AP6-01	ENGL-AP8-01	ENGL-AP10-01	ENGL-AP12-01	ENGL-AP16-01	ENGL-AP18-01	ENGL-AP20-01
LED Power (W)	132	198	266	337	404	541	612	670
Total Power (W)	136	209	278	364	430	580	644	725
Input Voltage	85-264VAC, 50-60Hz							
LED	630NM:460NM 40:20	630NM:460NM 60:30	630NM:460NM 80:40	630NM:460NM 100:50	630NM:460NM 120:60	630NM:460NM 160:80	630NM:460NM 180:90	630NM:460NM 200:100
	Customized Available							
Color	630NM/460NM Red/Blue (Customized Available)							
Beam Angle	90°/120°							
Lumen (LM)	2400	3600	4800	6000	7200	9600	10800	12000
Par (umol)	238/1m 120/1.5m	310/1m 170/1.5m	570/1m 320/1.5m	410/1m 210/1.5m	656/1m 353/1.5m	700/1m 420/1.5m	700/1m 420/1.5m	700/1m 420/1.5m
Light Intensity (lux)	9500/1m 4700/1.5m	9450/1m 7200/1.5m	16500/1m 9250/1.5m	17850/1m 9500/1.5m	19900/1m 11200/1.5m	20000/1m 11750/1.5m	20000/1m 12500/1.5m	20000/1m 12500/1.5m
Coverage Area (m2)	0.8/0.5m 1.6/0.8m 2.0/1.0m	0.8/0.5m 1.6/0.8m 2.1/1.0m	0.9/0.5m 1.7/0.8m 2.2/1.0m	0.9/0.5m 1.8/0.8m 2.4/1.0m	1.9/0.8m 2.5/1.0m 4.2/1.5m	2.1/0.8m 2.8/1.0m 4.8/1.5m	2.2/0.8m 2.8/1.0m 5.0/1.5m	2.4/0.8m 2.8/1.0m 5.2/1.5m
Product Dimension (mm)	270×283×85	383×283×85	496×283×85	609×283×85	722×283×85	948×283×85	1061×283×85	1174×283×85
Packing Dimension (mm)	4PCS 540×380×360	4PCS 540×480×360	3PCS 600×360×410	2PCS 720×360×300	1PC 895×380×175	1PC 1120×380×175	1PC 1220×380×175	1PC 1345×380×175
Net Weight/ Gross Weight (Kg)	4PCS 16.2/18.0	4PCS 21.2/23.5	3PCS 19.4/21.5	2PCS 14.9/16.5	1PC 11.7/13.0	1PC 14.9/16.5	1PC 16.7/18.5	1PC 18.0/20.0

● Installation:



● Packing:

