

## T8 LED Tubes

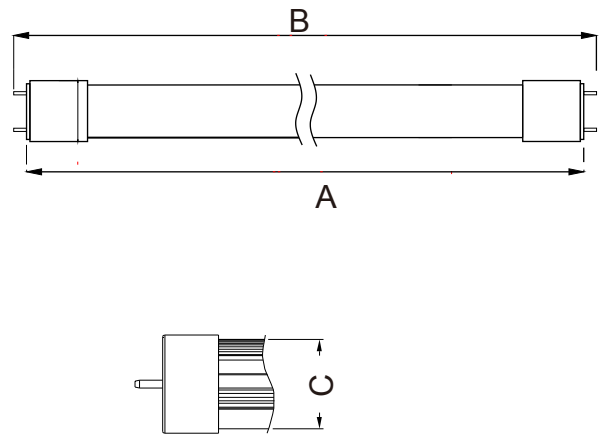


### Specifications:

- Voltage: 100-240VAC / 85-265VAC
- Color: 2800-3300K / 4000-4500K / 5500-6000K
- Operating temperature: -35 to + 50°C
- Material: PC cover & Aluminum back
- Light Degradation: < 5% in 30,000 hours
- Warranty: 3 years



Model	Dimensions(mm)		
	A	B	C
ENLT-T8060	590	604	26
ENLT-T8090	898	912	26
ENLT-T8120	1198	1212	26
ENLT-T8150	1498	1512	26



## Applications:

High power LED tubes are designed for use in supermarkets, jeweller's shops, advertisement box, office building, or for direct replacement of conventional lamps.

## Features and advantages:

- Direct replacement of conventional lamps
- LED life of 50,000 hours continuous work
- No hazard of mercury or lead entering the environment
- Solid-state, shock and vibration resistant light sources runs on
- Major reduction in power costs, maintenance free
- Generate little heat
- No fluorescent flickering
- No danger of broken glass
- Internal power supply with high power factor & low harmonic current



## Testing Data:

Model	ENLT-T8060-NI-01	ENLT-T8090-NI-01	ENLT-T8120-NI-01	ENLT-T8150-NI-01	ENLT-T8060-I-01	ENLT-T8090-I-01	ENLT-T8120-I-01	ENLT-T8150-I-01
Input Voltage	100-240VAC				85-265VAC			
Socket	G13							
Power	9	14	18	22	9	14	18	22
Power Factor	0.95							
Beam Angle	120°							
Color	2800-3300K / 4000-4500K / 5500-6000K							
Lumen	830	1450	1750	2200	830	1450	1750	2200
CRI	Ra>80							
LED Chips	SMD2835							
LED Quantity	72	132	168	216	72	132	168	216
Power Supply	Non Isolated Driver				Isolated Driver			
Life time	>50,000 Hours							

## Packing:

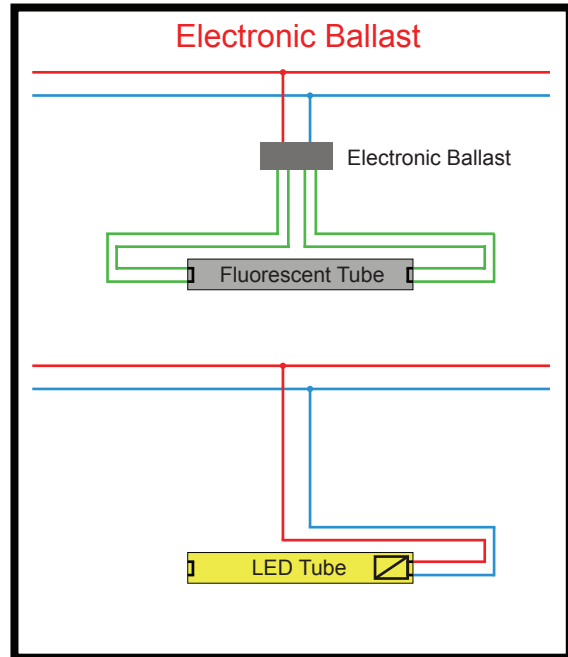
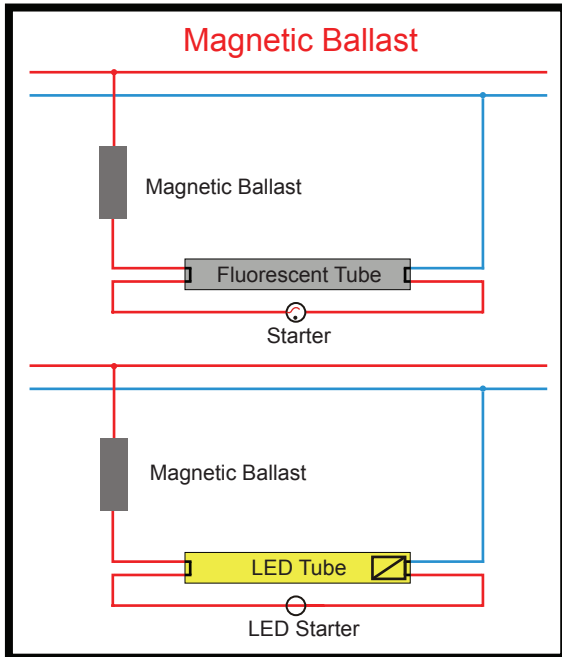
Model	ENLT-T8060-NI-01	ENLT-T8090-NI-01	ENLT-T8120-NI-01	ENLT-T8150-NI-01	ENLT-T8060-I-01	ENLT-T8090-I-01	ENLT-T8120-I-01	ENLT-T8150-I-01
Carton (mm)	627×240×250	927×240×250	1270×240×250	1570×240×250	627×240×250	927×240×250	1270×240×250	1570×240×250
Quantity	30PCS							
Net Weight (Kg)	6.3	9.0	11.9	15.6	6.3	9.0	11.9	15.6
Gross Weight (Kg)	8.0	11.0	14.5	17.5	8.0	11.0	14.5	17.5

## Warning:

1. It is non-waterproof.
2. Please do not touch it when they are working.

## Wiring Diagram:

### One side Input (Europe Standard)



### Two sides Input (Others)

